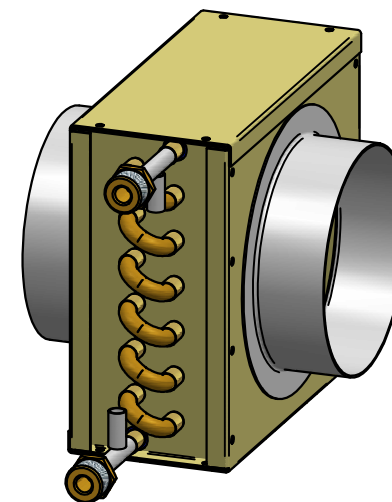
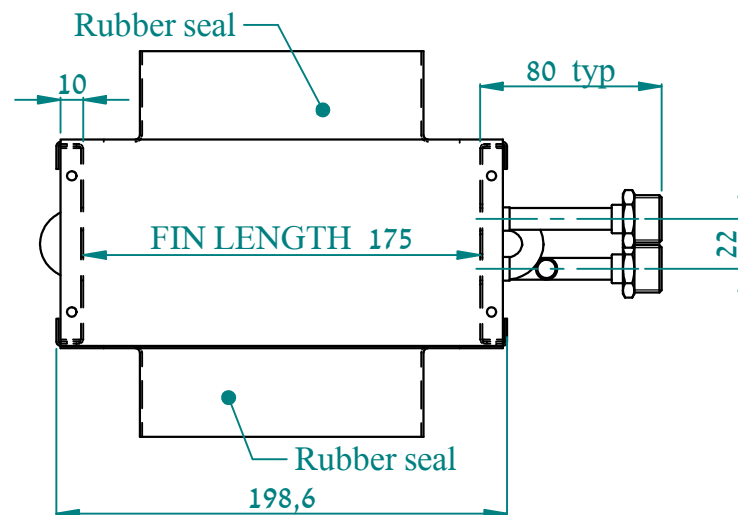


The Circuits



\* REVISED

Holes should be sealed to avoid air leakage  
 Fin: ALUMINIUM, 0.12 mm , CORRUGATED  
 Tubes: COPPER, 0.012"  
 End Plates: GALVANIZED, 1mm  
 T/B Plates: GALVANIZED, 1mm

TOLERANCE UNLESS SPECIFIED

LINEAR DIMENSIONS	ANGULAR	FINS DENSITY
UP TO 400 mm - ±2	OVER 400 - ISO 2768-C	±4° ±4 %

NO:	DATE	BY
C	01/02/2016	David
B	17/03/2014	tomasz
REVISIONS		

BOX\_V\_Ø125

tt coil as

Description: 9/2x7x175/16-1 (0)  
 Cat. No. 809 - TJ217

date	by	proj	scale
26/03/2014	tomasz	TJ217	rev