



# STANDARD STOCK BOX COOLING COILS (DX)

## Air tightness class D

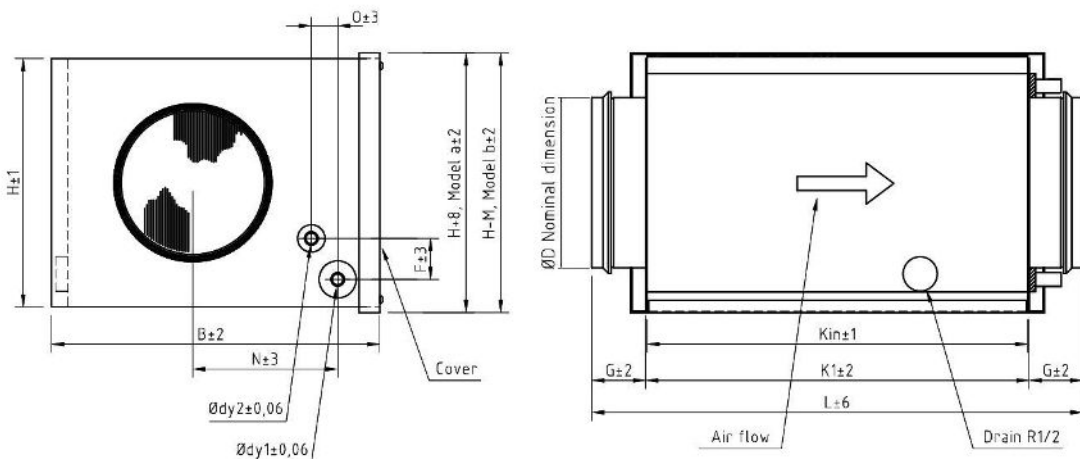
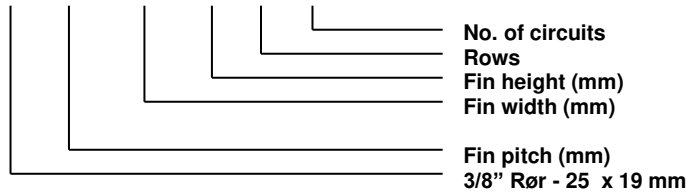
ttc's new standard cooling coils for direct expansion with Ø connections

This applies to:  
Airflow: From 100 m<sup>3</sup>/h to 2.500 m<sup>3</sup>/h

Item no.	Cooling coil	Geometry	Fin Pitch	Fin Width	Fin Height	Rows	Circuits	Air Direction	Material	Ø (in/out) (smooth)	K	B	H
DX-200-3	DX	- SP	- 2,5	- 273	- 300	- 3R	- 2	- V2	- Cu/Al	10/16 mm	280	411	330
DX-250-3	DX	- SP	- 2,5	- 348	- 375	- 3R	- 2	- V2	- Cu/Al	10/16 mm	280	486	405
DX-315-3	DX	- SP	- 2,5	- 423	- 450	- 3R	- 3	- V2	- Cu/Al	10/16 mm	280	560	504
DX-400-3	DX	- SP	- 2,5	- 573	- 475	- 3R	- 4	- V2	- Cu/Al	10/16 mm	330	710	529

### Coil Nomenclature:

SP 2,5 273 300 3 2



tt coil as - Svanningevej 2 - 9220 Aalborg Ø - Tlf.: 98 15 95 00  
 tt coil as - Tempovej 18 - 22 - 2750 Ballerup - Tlf.: 44 200 400  
 tcoil@tt-coil.dk - www.tt-coil.dk