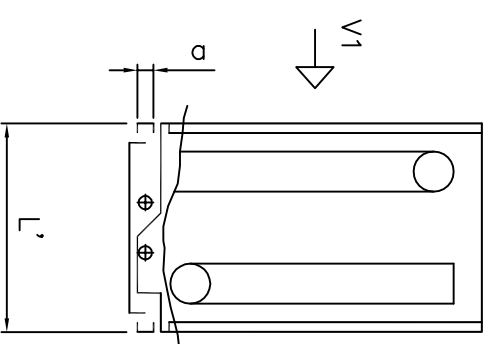
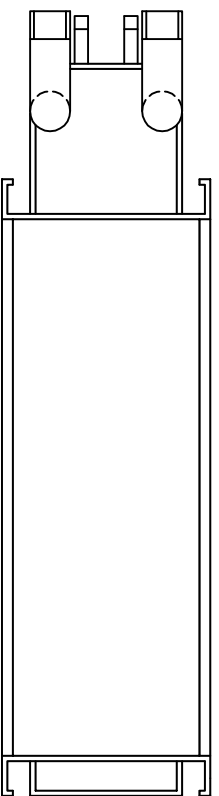


Sealing

This drawing is not in scale.

Qty.: 1	Coil code: CW-ES-2,5-300-200-4R-2-V1-CU/AL									
B	B'±5	d±2	d'±2	H	H'±5	a±2	d'±2	L'±2	K	
300	380	40	40	200	272	42	30	250	60	
Pos 1 Headers	: CU	Inlet dimension : 1" RG								
Pos 2 Tubes	: CU	Outlet dimension : 1" RG								
Pos 3 Casework	: GALV.	Welding/Braze connections : --								
Pos 4 Fins	: AL	Welding flange DIN 2633 : --								
Air vent/Drain	: --	Loose flange DIN 2642 : --								
Frostsensor	: --	Threaded flange DIN 2566 : --								
Flanges & Headers can be outside L'		Thread connections : YES								



Tegn. af/
Made by/
Gezeichnet/
PD

Kontr. af/
Approved by/
Gæpr./
PD

Dato/
Date/
Datum: 30.03.11

Tegn.nr./Drawing no. Rev.
Zeichnung Nr.:

CW300200

